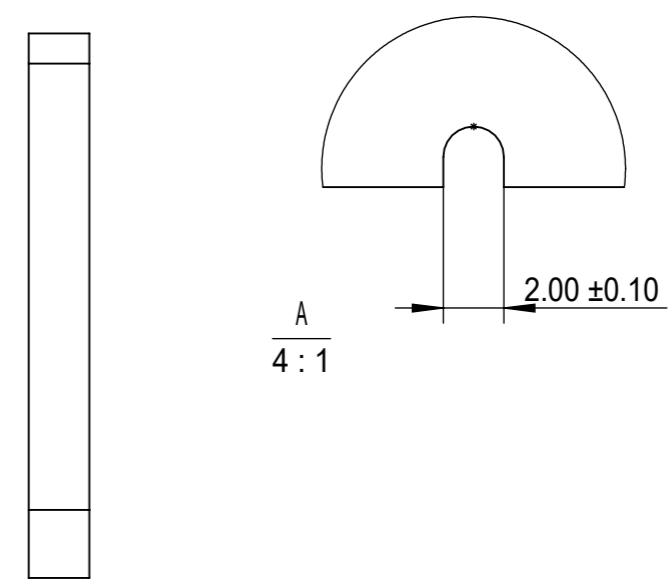
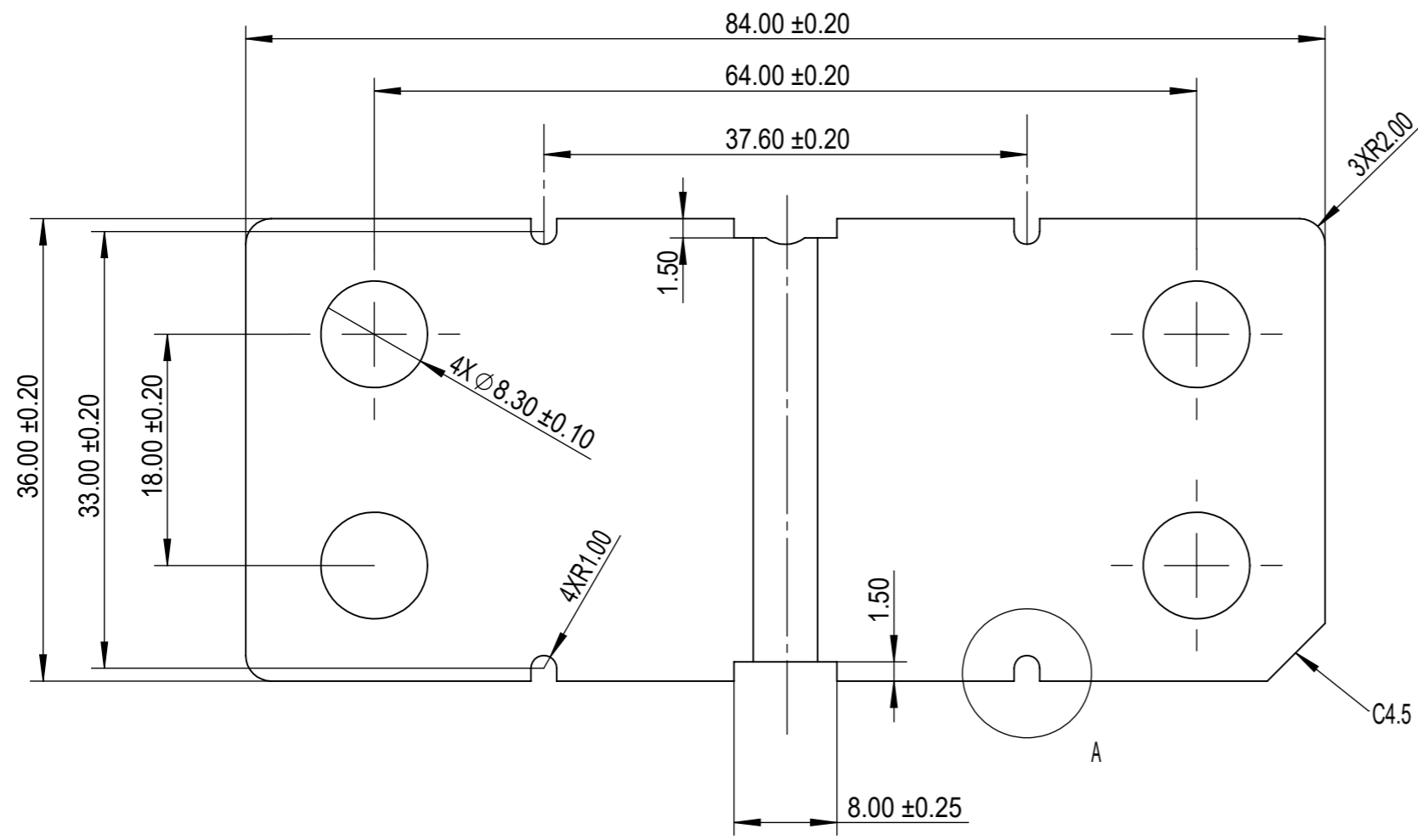
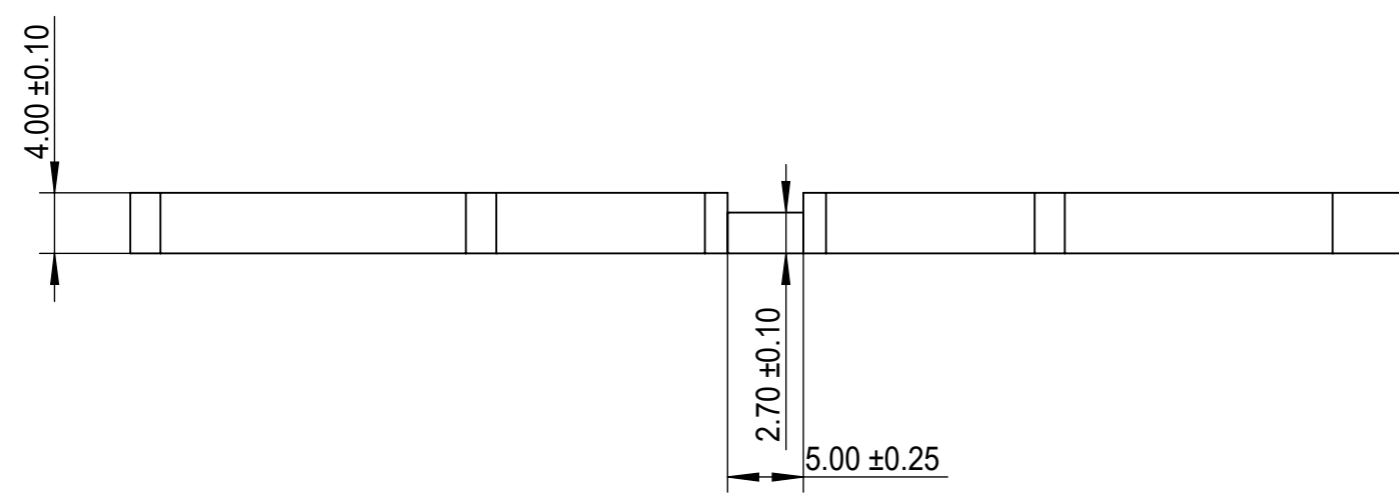


1	2	3	4	5	6	7	8		
ZONE					REV	DESCRIPTION	ECN NUMBER	DATE	APPROVED




Notes:

1. Power rating(@70C): 36W
2. Resistance Value: 25μΩ
3. Resistance Tolerance: ± 5%
4. TCR of Resistance Material (0-80C): <50 PPM/C
5. Operating Temperature Range: -65--170C, <95% RH
6. Dimension And Other Technical Parameters Can Be Customized.



Preliminary!

ALL RIGHT RESERVED		NEITHER THIS PRINT NOR THE INFORMATION CONTAINED HEREON IS TO BE USED AGAINST THE INTERESTS OF CHUROD SENSING TECHNOLOGIES OR AGAINST THE INTERESTS OF ANY OF ITS AFFILIATED COMPANIES OR WHOLLY OWNED SUBSIDIARIES.				528 FANGQIAO ROAD XIANGCHENG DISTRICT SUZHOU CHINA	
DRAWN	Steven Xu	INTERPRET DIMENSIONING AND TOLERANCING PER ASME Y14.5-2009. UNLESS OTHERWISE SPECIFIED DIMENSIONS ARE IN MILLIMETERS.		TITLE			
DATE	Sep. 1, 2023			Shunt 8436-4			
ENGINEER	.	TOLERANCES LINEAR ANGULAR ±0.5 ±3°		SIZE	NUMBER	REV	
DATE	.			A3	8436-4-25	1	
APPROVED	.	DO NOT SCALE DRAWING METHOD THIRD ANGLE PROJECTION		SCALE	2:1	SHEET	1 OF 1
DATE	.						