

FEATURES

- Small size: a core with two sets of contacts
- High breaking performance: limit segmentation capacity at 500vdc/2000A
- Coil with relatively low power dissipation: adopt dual-coil electronic control method
- The main circuit with non-polarity : Longitudinal and symmetrical permanent magnet blowing
- High short-circuit resistance performance: 8000A short-circuit current tolerance
- High anti-misoperation impact: Impact capacity with auxiliary mechanism at 20G
- Authentication:No



APPLICATION

Energy storage
UPS
Charging Pile

COIL DATA

Type	Nominal coil voltage (VDC)	Coil Resistance(Ω)±8%		Operate Voltage(VDC)Max		coil voltage Max(VDC)	Release Voltage (VDC)Min	Coil power (Max)	
		Starting	Holding	25°C	85°C			Starting	Holding
2Coil,PCBA	12	3.1	19.7	7.5	9.0	16	1.2	48W	7.5W

CONTACT DATA

Contact arrangement	2Poles Form X	
Rated current	250A	
Nominal insulation voltage	830VDC	
Nominal voltage	800VDC	
Max. breaking voltage	800VDC	
Initially voltage drop(at250A)	50mV	
Max. breaking current	2,000A/500VDC, 1 ops	
Short circuit current (choose)	8,000A/500VDC,5ms (With no smoke or fire)	
Electrical endurance (On-Off ratio: 0.6s/5.4s) (Resistive Load)	800VDC, 400A	50 ops
	800VDC, 250A	3000 ops
	1000VDC, 250A	1500 ops
Mechanical endurance (On-Off ratio: 0.5s/0.6s)	200,000 ops	
Aux.-contact current	2A 24VDC/2A 125VAC	
Min. applicable load(Main/Aux.-contact)	48VDC 100mA / 8VDC 100mA	

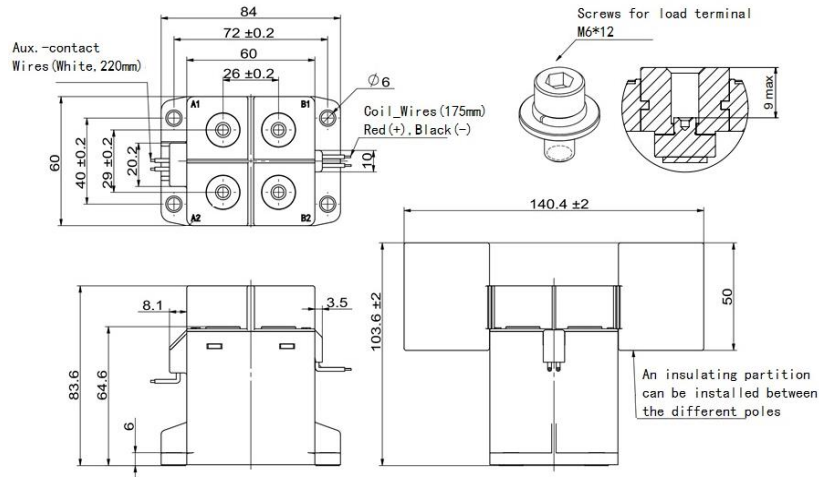
CHARACTERISTICS @25°C

Operate time(At nominal voltage)	≤30ms
Release time(At nominal voltage)	≤15ms
Insulation resistance	≥1000MΩ (at1000VDC)
Dielectric strength	Between coil and contacts 3,000V AC, 1mA, 50Hz (1min)
	Between open contacts 3,000VAC/1,000VAC(Aux.),1mA,50Hz(1min)
vibration	Random vibration 49m/s ² (10~55Hz)
	Sinusoidal vibration 29.4m/s ² (10~55Hz), Amplitude:1.2mm
Shock resistance	Destruction 490m/s ²
	Malfunction 196m/s ²
Ambient temperature	- 40 ~ +85°C
Ambient humidity	5% ~ 85%RH(Avoid icing or condensation)
Standard direction	Horizontal/Vertical installation,M5 Screw
Outline Dimension	60×84×83.6 (±0.5)
Weight	Approx. 660g

ORDERING INFORMATION

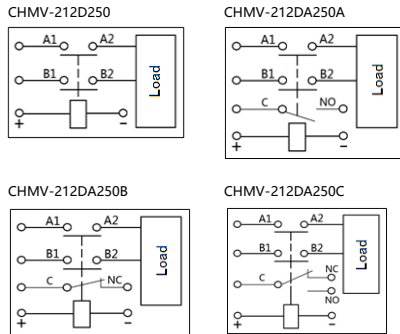
	CHMV	-2	12	D	A	250	A	,000
1.Product Family	CHMV Series							
2.Number of Poles	2 =2Poles (Normally Open)							
3.Rated Coil Voltage	12 =12VDC							
4.Type of Coil	D = DC							
5.Aux.-contact	Blank: Without Aux.-contact, A: With Aux.-contact							
6.Load Current	250 = 250A (DC-1/800VDC)							
7.Type of Aux.-contact	A: 1NO, B: 1NC, C: 1NO+1NC							
8.Additional numbers and /or letters	000-999, AAA-ZZZ, aaa-zzz or blank, which does not represent electrical changes, only for specific customer requirements							

OUTLINE DIMENSION



Remark: 1) The reference tolerance in outline dimension: ±0.5mm

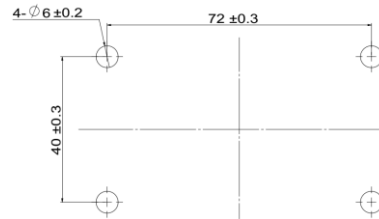
WIRING DIAGRAMS



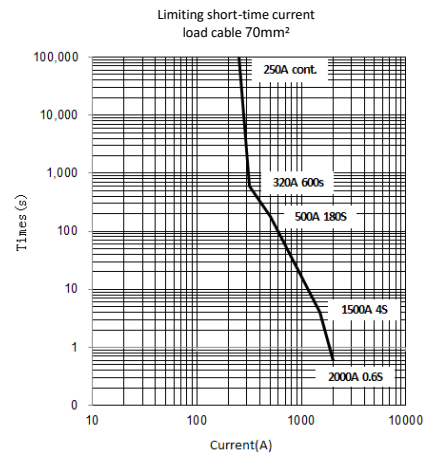
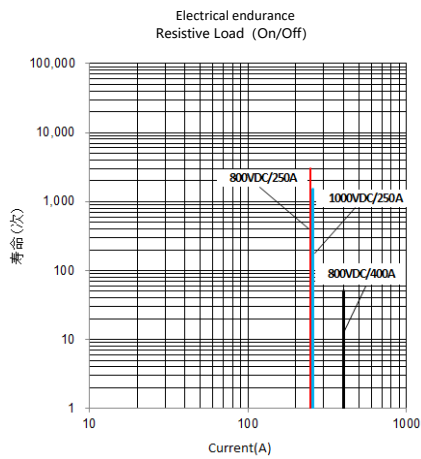
Remark: The load is nonpolar

The coil has polar (Red+/Black-)

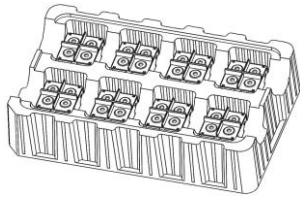
LAYOUTS



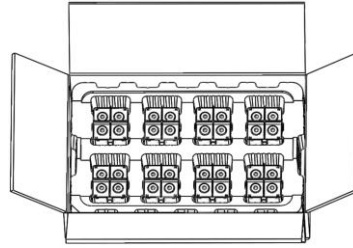
Reference Date @25°C



PACKAGING FIGURE



8 pcs inside a box



8pcs inside a carton

Disclaimer:

The specification is for reference only,if you need more detail information,please contact Churod. We could not evaluate all the performance and all parameters for every possible applicatic
And the user should be in a right position to choose the suitable product for their own application.If there is any new need,please contact Churod for the technical service.